



Price* : 5,340,500.00 IDR



Main

| | |
|---------------------------|----------------------------|
| Range of product | Magelis Easy GXU |
| Product or component type | Advanced touchscreen panel |
| Display type | LCD touch screen |
| Display colour | 65536 colours |
| Display resolution | 800 x 480 pixels WVGA |
| Display size | 7 inch |

Complementary

| | |
|----------------------------|--|
| Backlight lifespan | 20000 hours |
| [Us] rated supply voltage | 24 V DC |
| Software designation | Vijeo Designer Basic (configuration software) |
| Memory description | Internal, 32 MB for application Internal DDR, 128 MB Internal, 128 kB for backup |
| Integrated connection type | USB type mini B COM1 serial link : 9-way male SUB-D connector, RS422/RS485 protocol |
| Cut-out dimensions | 190 x 135 mm |

Environment

| | |
|---------------------------------------|--------------------|
| Quality labels | CE |
| Ambient air temperature for operation | 0...50 °C |
| Ambient air temperature for storage | -20...60 °C |
| IP degree of protection | IP65 (front panel) |

Offer Sustainability

| | |
|--------------------------|---|
| Sustainable offer status | Green Premium product |
| RoHS (date code: YYWW) | Compliant - since 1501 - Schneider Electric declaration of conformity |

 [Schneider Electric declaration of conformity](#)

REACH

Reference not containing SVHC above the threshold
[Reference not containing SVHC above the threshold](#)

Product environmental profile

Available
 [Product Environmental Profile](#)

Product end of life instructions

Available
 [End of Life Information](#)

Dimensions

External Dimensions

- (1) Front
- (2) Right
- (3) Bottom

Installation with Installation Fasteners

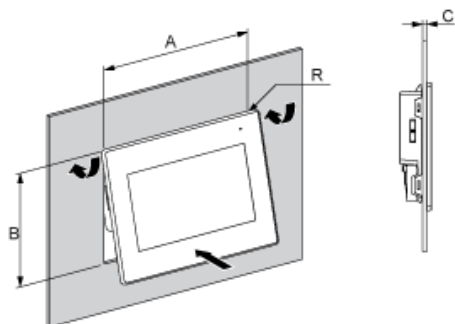
- (1) Rear
- (2) Right
- (3) Left
- (4) Top
- (5) Bottom
- (6) Front

Dimensions with Cables

- (1) Rear
- (2) Right
- (3) Left
- (4) Top
- (5) Bottom

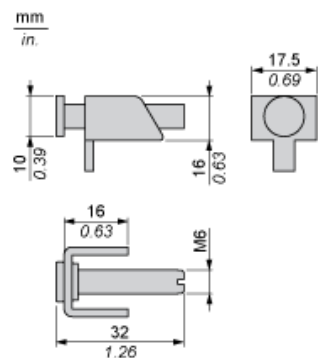
Mounting

Panel Cut Dimensions



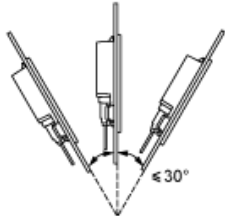
| A | | B | | C | | R | |
|-------------|-----------------|---------------|-----------------|-------|-------------|-------|-----------|
| mm | in. | mm | in. | mm | in. | mm | in. |
| 190 \pm 1 | 7.48 \pm 0.04 | 135 \pm 0.7 | 5.31 \pm 0.03 | 1...5 | 0.04...0.19 | 3 max | 0.12 max. |

Installation Fasteners Dimensions



Installation Requirements

Mounting Angle



When installing the panel in a slanted position, and the panel face inclines more than 30°, the ambient temperature must not exceed 40 °C (104 °F).

Clearance

mm
in.

